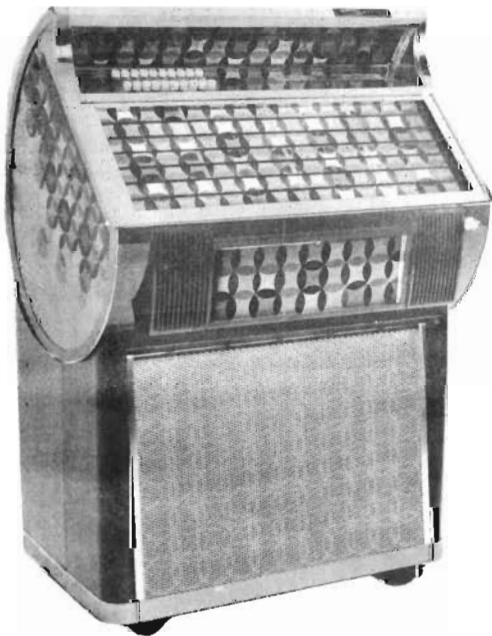
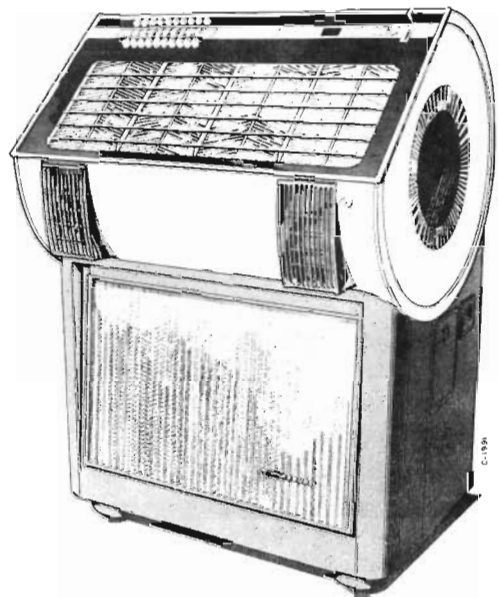


SEEBURG®

PHONOGRAPH

SERVICE MANUAL

**Models
SX100 &
ESX100**



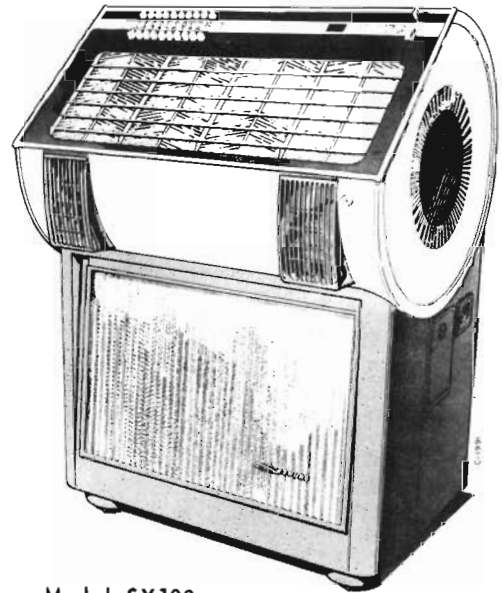
**Models
SL100 &
ESL100**

For SERVICE INFORMATION on:
MECHANISM see Manual No. 81-254157
ELECTRONIC UNITS see Manual No. 81-359374

SELECT-O-MATIC PHONOGRAPH



Model SL100



Model SX100

LID KEY No. F-293

CABINET LIGHTING ... Two (2) 19 watt, 26-inch, cool, white fluorescent lamps. Two (2) FS25 fluorescent light starters.

SELECT-O-MATIC MECHANISM ..Type 145ST14

TORMAT MEMORY UNIT Type 100TM7

RECORD TYPE ... 45 rpm, 7-inch diameter.

RECORD CAPACITY 50 records (100 selections)

PICKUP ... Convenient plug-in high compliance Mu-Metal shielded Stereophonic Magnetic Pickup Assembly with two Sapphire Stylis.

PHONOGRAPH SPEAKERS Two (2) full range 12-inch and two (2) high frequency Horns on all models.

CABINET FINISH ... Mylar Coated Vinyl, baked enamel & aluminum trim. (SX100)

CABINET FINISH Chrome, baked enamel & aluminum trim. (SL100)

SINGLE PRICING UNIT ... Type SPU5-56, or SPU5-X-56, or SPU5-Y-56, depending on pricing requirements.

TORMAT ELECTRICAL SELECTOR Type TES112-56.

SOLID STATE STEREO AMPLIFIER Type TSA9-56.

SOLID STATE CONTROL CENTER Type SCC9-56.

DIMENSIONS AND WEIGHTS

Height: (SL100) 48-1/8 inches
 Height: (SX100) 44-1/2 inches
 Width : 31-1/2 inches
 Depth : 23-1/2 inches
 Net Weight: 205 pounds
 Shipping Weight: 245 pounds

FUSES

	Part No.
Solid State Control Center, 1-1/2 amp.	45-764814
Solid State Control Center, 6-1/4 amp. non-tamp.	45-307830
Solid State Control Center, 15 amp.	45-307556
Solid State Control Center, 1/8 amp.	45-319028
Solid State Amplifier, 8/10 amp. Slo Blo	45-306316

SELECT-O-MATIC PHONOGRAPH

EXPORT NOTE

U.S. Model & Type Numbers are used in the text of this Manual.
See below for equivalent Export Model & Type Numbers.

		MODELS		
		SX100 & SL100	ESX100-5 & ESL100-5	ESX100-H5 & ESL100-H5
POWER REQUIREMENTS	Volts	120	120	235
	Hertz	60	50	50
	Watts (standby)	100	120	120
	Watts (operating)	160	180	180
Select-O-Matic Mechanism		Type 145ST14	Type 145ST14-5	Type 145ST14-5
Solid State Stereo Amplifier		Type TSA9-56	Type TSA9-56	Type TSA9-H5
Solid State Control Center		Type SCC9-56	Type SCC9-56	Type SCC9-H5
Fluorescent Lamp Ballasts		53-490638	53-493231	53-493232
Line Cord & Switch Assembly		70-317588	70-317588	70-317589 with Continental Plug 70-317590 with German Shukko Plug
† Solid State Stepper Unit		† Type SSU4	† Type SSU4-5	† Type SSU4-H5
Single Pricing Unit		Type SPU5-56 (Adds 1 thru 6, Sub 1) (10-455420) Type SPU5-X-** (Adds 1 thru 16, Sub 1) Type SPU5-Y-** (Adds 1 thru 6, Sub 1, 2 x 1 Feature)		
Amplifier Fuse		0.8 Amp.(45-306316)	0.8 Amp.(45-306316)	0.5 Amp.(45-306369)
Control Center Fuse		6.25 Amp.(45-307830)	6.25 Amp.(45-307830)	3.2 Amp.(45-303713)

† Accessory

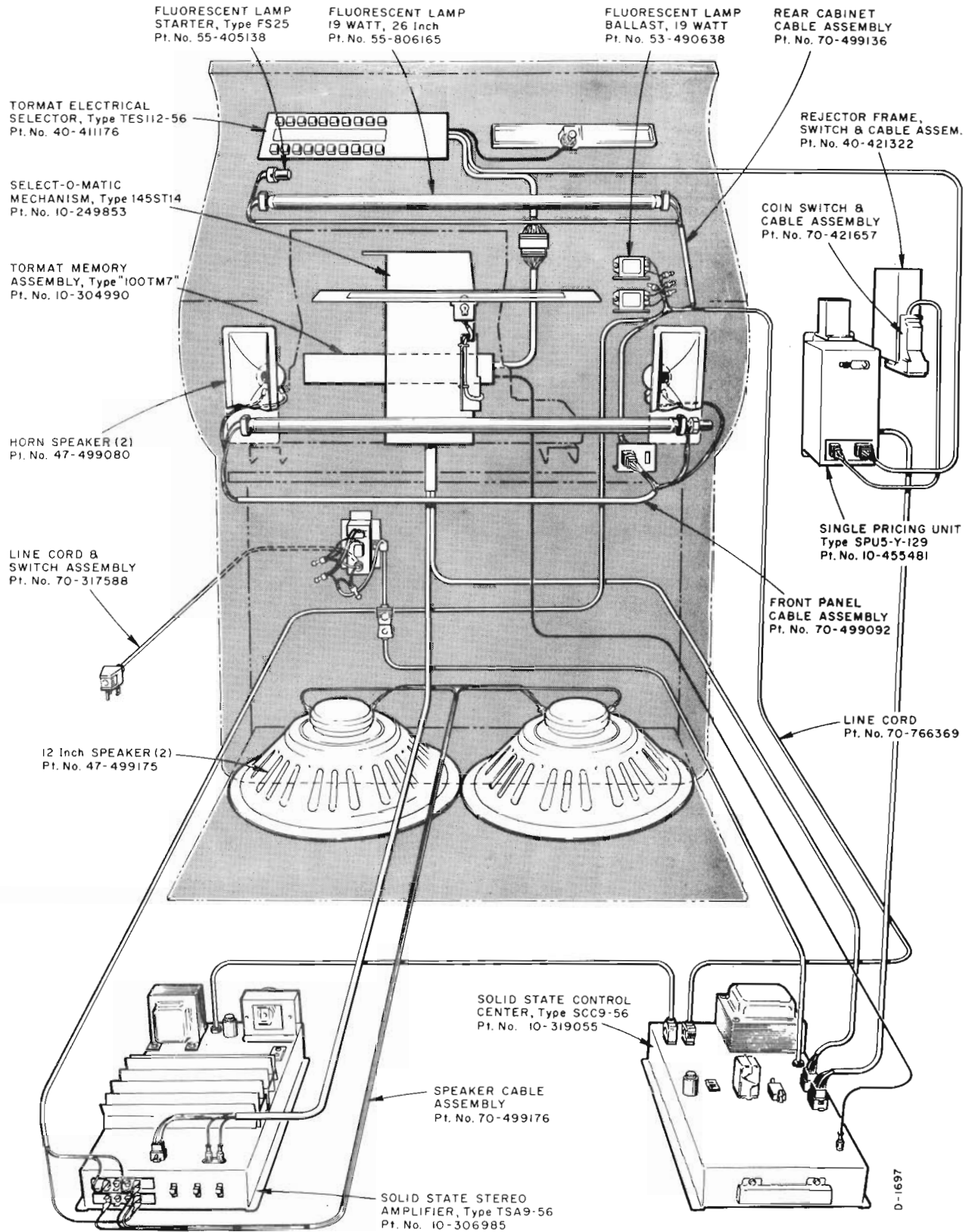
** Varies with country

ACCESSORIES

Part No.

Universal Column Speakers, Type UCS1K	ME-512970
Corner Adaptor, Type CA2 (for UCS1)	10-513035
Remote Stereo Speakers, Type TW1-8	ME-512350
Type TC1-8	ME-512351
Type TR1-8	ME-512352
Stereo Speaker Control, Type S10LT-3	ME-508110
Powered Remote Volume Control, Type PRVC3	ME-509210
Wall-O-Matic, Type "100"	ME-506680
Wall-O-Matic, Type "160"	ME-506550
Solid State Stepper Kit, Type SSU4K	10-317970
Type SSU4K-5	10-317971
Type SSU4K-H5	10-317972
Auxiliary Power Supply Kit, Type RPS8K-56	50-509056
Type RPS8K-H5	50-509057
(2 x Quarter = Half Dollar)(Std. Unit in U.S.):	
Single Pricing Unit, Type SPU5-Y-129	10-455481
Pricing Window	(SX100) 83-498939 (SL100) 83-457063
(10 Cent., 3/Quarter, 7/Half Dollar):	
Single Pricing Unit, Type SPU5-X-129	10-455479
Pricing Window	(SX100) 83-498938 (SL100) 83-457065

SELECT-O-MATIC PHONOGRAPH



SELECT-O-MATIC PHONOGRAPH

- GENERAL DESCRIPTION -

1. INTRODUCTION

The SX100 & SL100 Model Phonographs are coin operated phonographs designed to play 45 rpm., 7-inch monaural records. Either side of any 50 records may be selected for playing. The phonograph may be used alone or with Wall-O-Matics, which provide for remote selection of records.

2. DESCRIPTION OF ITEMS

a. Coin Equipment

The coin equipment used in SX100 & SL100 Phonographs is capable of accepting nickels, dimes, quarters and half-dollars. Each coin is checked for size, weight, permeability, hardness and holes. If a coin does not meet the requirements of any one of these tests, the coin is rejected and directed into a coin return cup. Accepted coins are directed through individual exits in the coin equipment to appropriate coin switches. This unit is highly accurate and requires a minimum of maintenance.

* b. Single Pricing Unit (Types SPU5-X or Y)

The function of this unit is to establish credits for coins deposited, subtract credits as selections are made, control the selection system write-in pulse, and start the scanning operation of the Select-O-Matic Mechanism. Power for the unit is 24-volts a.c., obtained from the associated Solid State Control Center. This unit is the determining factor when setting up any pricing combination in the phonograph.

* c. Tormat Electrical Selector (Type TES112-56)

The Tormat Electrical Selector is the primary unit of the phonograph selection system. Its function is to connect a letter and number circuit

of the Tormat Memory Unit into a selection write-in circuit. When completed, this initiates the operational sequence of the phonograph.

* d. Solid State Control Center (Type SCC9)

This unit is a power distribution center and a junction for control circuits of the phonograph. Power is supplied to the unit through a line cord and is distributed at line voltage or from a transformer to the electrical circuits of the phonograph. All connections between the Solid State Control Center and other units in the phonograph are made with plugs that are keyed by color and/or shape. Test points are incorporated on the chassis to facilitate troubleshooting.

• e. Select-O-Matic Mechanism (Type 145ST14)

The mechanism includes the carriage, the magazine, the contact block and the popularity meter. The carriage includes the turntable, tone arm and transfer mechanism. The purpose of the mechanism is to store the records when not being played and to transfer selected records to the turntable for playing.

* f. Tormat Memory Unit (Type 100TM7)

The Tormat Memory Unit is used to remember selections made by customers and to signal the trip circuit of the mechanism when the carriage is opposite a selected record. The memory unit is a reliable passive device that normally will not require any service for the life of the phonograph.

* g. Solid State Stereo Amplifier (Type TSA9)

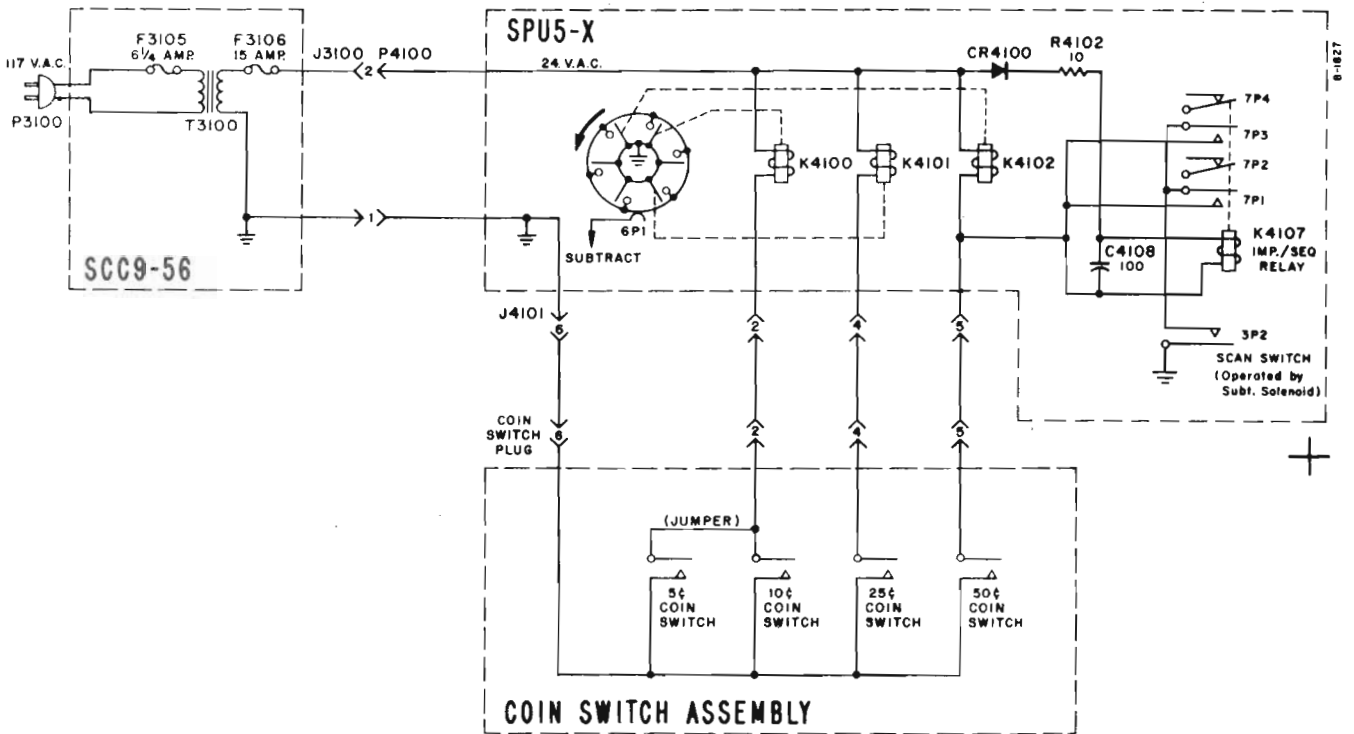
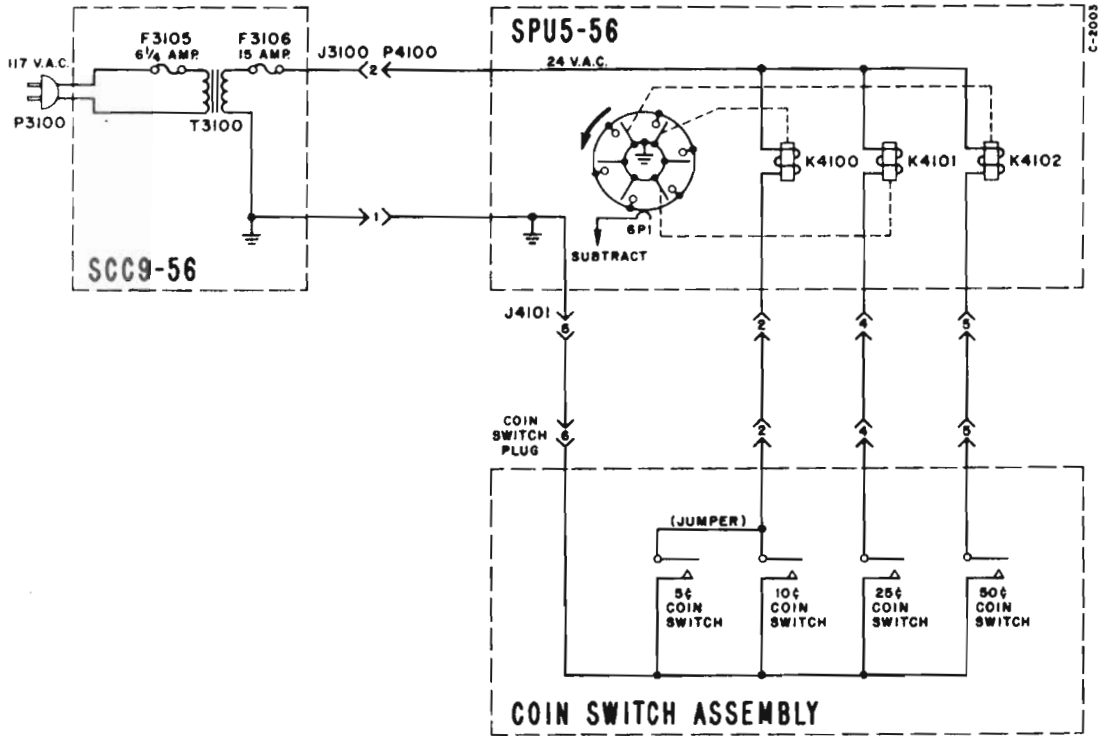
This unit is a single channel amplifier which amplifies audio signals received from the mechanism tone arm assembly. The output of the amplifier is fed to two 12-inch full range speakers and two hi frequency horns.

• See 81-254157 Mechanism Operation & Adjustments Manual

* See 81-319374 Electronic Units Service Manual

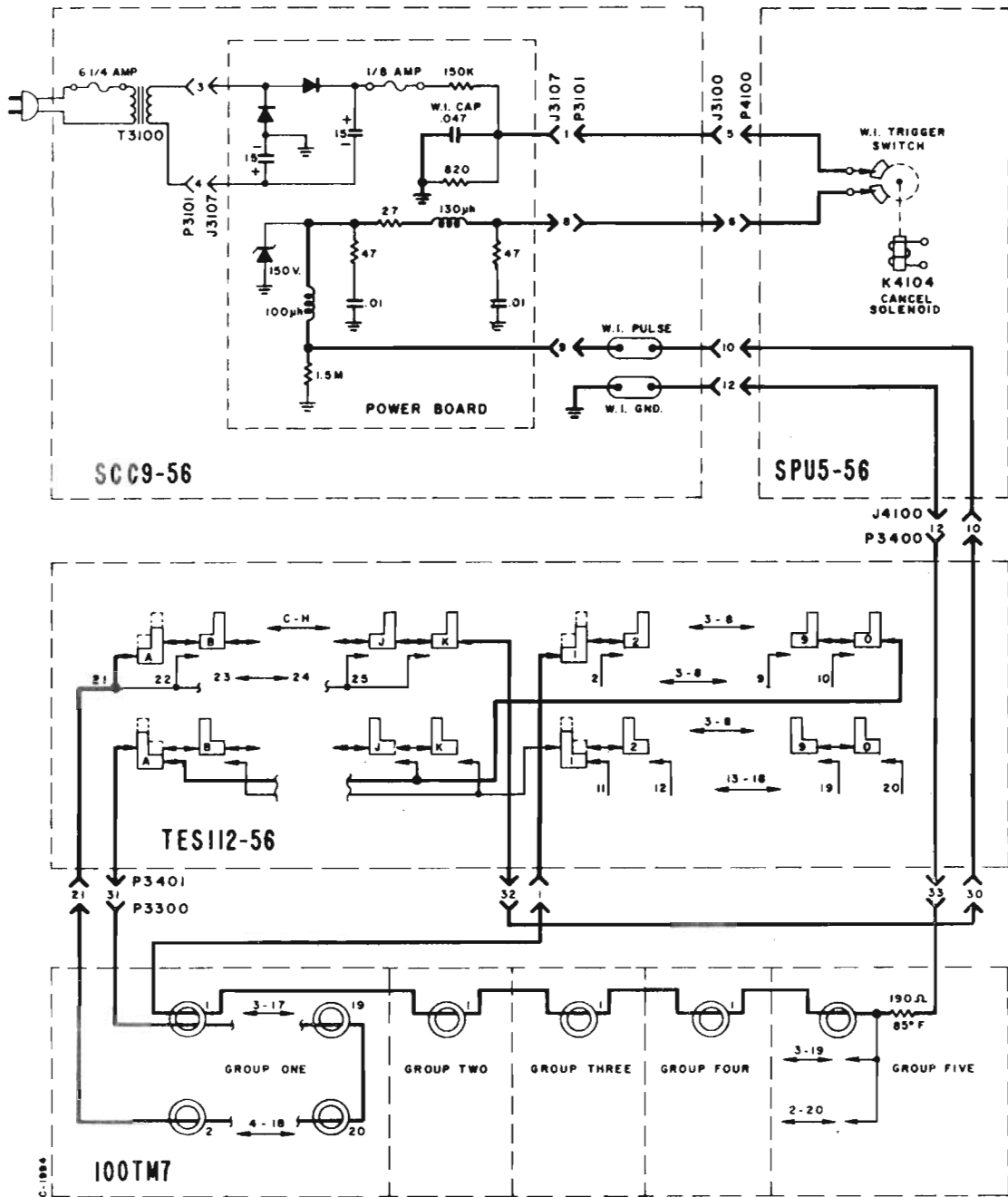
SELECT-O-MATIC PHONOGRAPH

- CREDIT ADD -



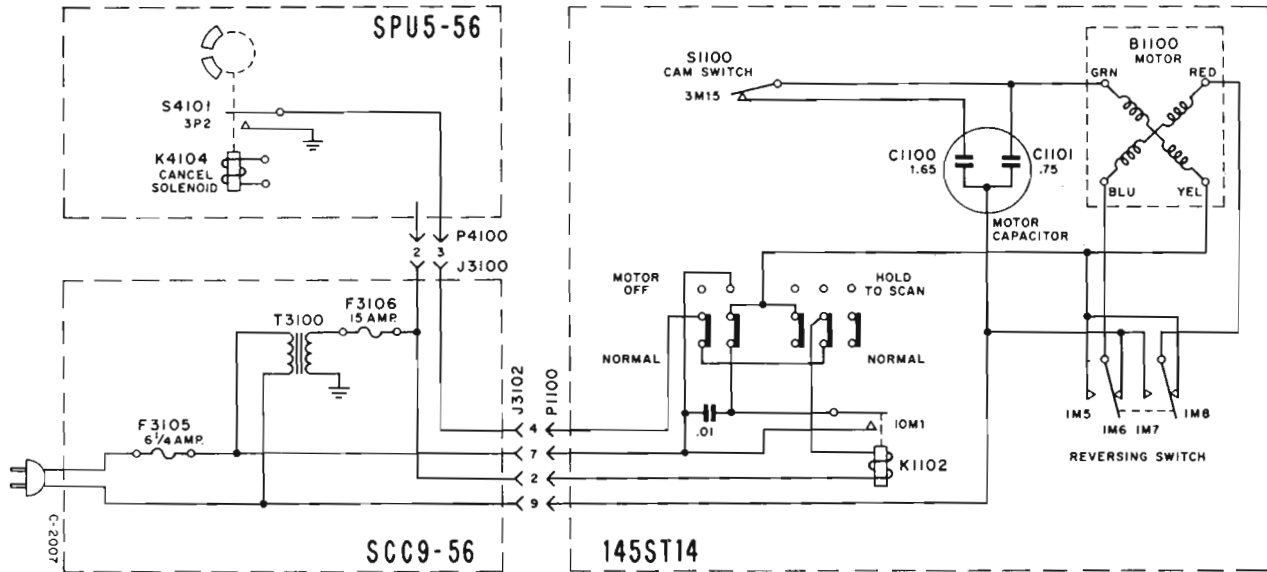
SELECT-O-MATIC PHONOGRAPH

- SIMPLIFIED WRITE-IN CIRCUIT -



SELECT-O-MATIC PHONOGRAPH

- MECHANISM MOTOR POWER CIRCUIT -



SELECT-O-MATIC PHONOGRAPH

- SIMPLIFIED MEMORY UNIT DIAGRAM -

